

# 3M™ Digital Wall Display

## Screen Installation

### Easy Erase Write-on Screen

Our easy erase screen can be written on with standard dry erase markers.

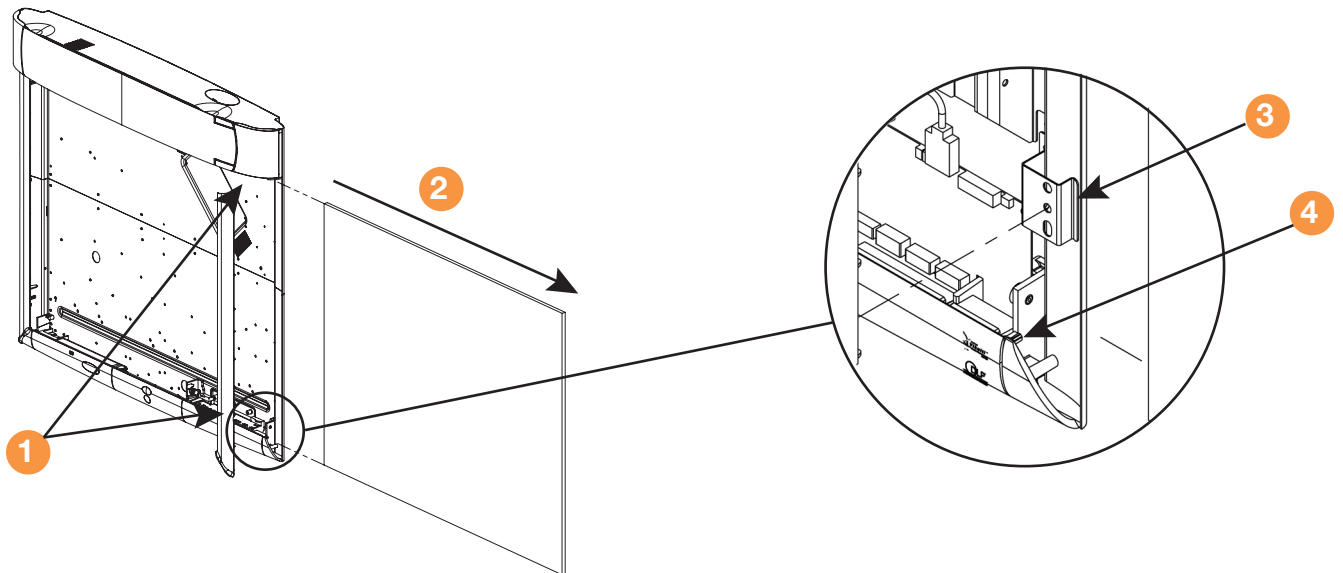
### SCREEN REPLACEMENT INSTRUCTIONS:

- 1 Insert a flat head screwdriver into the notches on the right side to loosen the side bezel and snap off.
- 2 Slide current screen out.
- 3 Place new screen in bottom track and slide in.
- 4 Align the three metal pegs on the side bezel with the center holes on the three brackets and snap in.

\*Note: Insert the bottom bezel metal plate first before snapping the bezel shut.



Order No: 78-6969-9469-4 (Easy Erase Write-on Screen)



1-800-328-1371

[www.3m.com/meetings](http://www.3m.com/meetings)

#### Important Notice

All statements, technical information, and recommendations related to 3M's products are on information believed to be reliable, but the accuracy or completeness is not guaranteed. Before using this product, you must evaluate it and determine if it is suitable for your intended application. You assume all risks and liability associated with such use. Any statements related to the product which are not contained in 3M's current publication, or any contrary statements contained on your purchase order shall have no force or effect unless expressly agreed upon, in writing, by an authorized officer of 3M.

#### Warranty; Limited Remedy; Limited Liability

This product will be free from defects in material and manufacture for a period of one year from the date of purchase. 3M MAKES NO OTHER WARRANTIES or CONDITIONS INCLUDING, BUT NOT LIMITED TO, ANY IMPLIED WARRANTY OF CONDITION OR MERCHANTABILITY OR FITNESS FOR A PARTICULAR PURPOSE. If this product is defective within the warranty period stated above, your exclusive remedy shall be, at 3M's option, to replace or repair the 3M product or refund the purchase price of the 3M product. Except where prohibited by law, 3M will not be liable for any indirect, special, incidental or consequential loss or damage arising from this 3M product, regardless of the legal theory asserted.

3M is a trademark of 3M Company. Used under license in Canada. All other trade names referenced are the service marks, trademarks, or registered trademarks of their respective companies.

**3M Visual Systems**  
Building A147-5N-01  
6801 River Place Blvd.  
Austin, TX 78726-9000

**3M Canada**  
P.O. Box 5757  
London, Ontario,  
Canada  
N6A 4T1

**3M Mexico, S.A. de C.V.**  
Apartado Postal 14-139  
Mexico, D.F. 07070  
Mexico

© 3M 2006  
V022306

