

3M™ Digital Wall Display

Laptop/Accessory Tray Installation

- attach the optional accessory trays to conveniently hold laptops, video conferencing equipment or other peripheral equipment used with the Digital Wall Display
- connect one or both left and right trays
- tray weighs 6.12 lbs and is designed to hold items up to 20 lbs.
- make sure the power is turned off when connecting the tray
- easy to install
- surface area 11.5" x 11" D

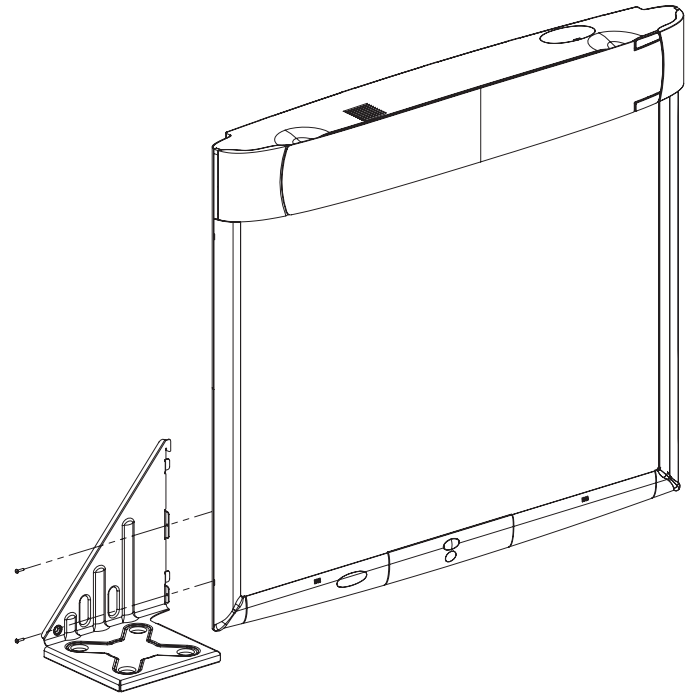
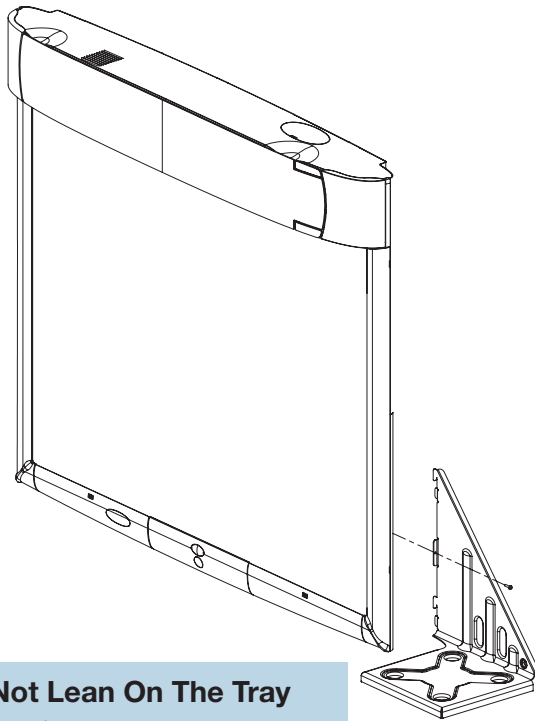
DIRECTIONS FOR INSTALLATION:

Right-side Tray:

Insert the two metal tabs on the tray into the corresponding slots on the side of the Wall Display and slide down. Insert screw into hole, turn and tighten.

Left-side Tray:

Insert the two metal tabs on the tray into the corresponding slots on the side of the Wall Display and slide down. Insert screws into screw holes, turn and tighten.



Do Not Lean On The Tray

*The tray is not meant to support a person's weight.

*This tray is intended for use on a wall-mounted Digital Wall Display only.

1-800-328-1371

www.3m.com/meetings

Important Notice

All statements, technical information, and recommendations related to 3M's products are on information believed to be reliable, but the accuracy or completeness is not guaranteed. Before using this product, you must evaluate it and determine if it is suitable for your intended application. You assume all risks and liability associated with such use. Any statements related to the product which are not contained in 3M's current publication, or any contrary statements contained on your purchase order shall have no force or effect unless expressly agreed upon, in writing, by an authorized officer of 3M.

Warranty; Limited Remedy; Limited Liability

The 3M Digital Wall Display Laptop/Accessory Tray will be free from defects in material and manufacture for a period of 90 days from the date of purchase. 3M MAKES NO OTHER WARRANTIES OR CONDITIONS INCLUDING, BUT NOT LIMITED TO, ANY IMPLIED WARRANTY OR CONDITION OF MERCHANTABILITY OR FITNESS FOR A PARTICULAR PURPOSE. If this product is defective within the warranty period stated above, your exclusive remedy shall be, at 3M's option, to replace or repair the 3M product or refund the purchase price of the 3M product. Except where prohibited by law, 3M will not be liable for any indirect, special, incidental or consequential loss or damage arising from this 3M product, regardless of the legal theory asserted.

3M is a trademark of 3M Company. Used under license in Canada. All other trade names referenced are the service marks, trademarks, or registered trademarks of their respective companies.

3M Visual Systems

Building A147-5N-01
6801 River Place Blvd.
Austin, TX 78726-9000

3M Canada

P.O. Box 5757
London, Ontario,
Canada
N6A 4T1

3M Mexico, S.A. de C.V.

Apartado Postal 14-139
Mexico, D.F. 07070
Mexico

© 3M 2006
V100706

